



ROHS-Compliant Product

O-4000SC Series



1. Specification		
Frequency range:	5.0 ... 100.0 MHz	
Type:	O-4100SC	O-4200SC
Supply voltage V_S :	+5.0 V \pm 5 %	+3.3 V \pm 5 %
Frequency stability vs. temperature options:		
$\leq \pm 5 \times 10^{-9}$ vs. 0 °C to +50 °C:	415x	425x
$\leq \pm 1 \times 10^{-8}$ vs. -10 °C to +60 °C:	416x	426x
$\leq \pm 1 \times 10^{-8}$ vs. -20 °C to +70 °C:	417x	427x
$\leq \pm 3 \times 10^{-8}$ vs. -40 °C to +85 °C:	418x	428x
$\leq \pm 5 \times 10^{-8}$ vs. -40 °C to +85 °C:	419x	429x
Aging stability option (after 30 days of continuous operation)		
$\leq \pm 1 \times 10^{-9}$ / day; $\leq \pm 1 \times 10^{-7}$ / year:	41x1	42x1
$\leq \pm 2 \times 10^{-9}$ / day; $\leq \pm 1 \times 10^{-7}$ / year:	41x2	42x2
$\leq \pm 5 \times 10^{-10}$ / day; $\leq \pm 5 \times 10^{-8}$ / year:	41x3	42x3
Frequency stability vs. supply voltage changes $V_S \pm 5 \%$: vs. load changes $\pm 5 \%$:	$\leq \pm 5.0 \times 10^{-9}$ $\leq \pm 1.0 \times 10^{-9}$	
Frequency control by external voltage 0 V ... V_{REF} :	$\geq \pm 1$ ppm	
Transfer function / Linearity:	Positive / $\leq 10\%$	
Reference Voltage V_{REF} :	+4.0 V \pm 5%	+3.0 V \pm 5%
Power consumption @ +25°C steady state: during warm-up:	≤ 1.5 W ≤ 3.5 W	
Warm-up time for a typical accuracy of $< \pm 1 \times 10^{-8}$ @ +25°C referred to final frequency after 1 hour:	≤ 5 min	
Output voltage / Load Option H : Option S :	HCMOS / 1 kOhm // 15 pF Sinewave / $> +3$ dBm / 50 Ohm	
Phase noise (typical for 10 MHz):		
10 Hz:	-110 dBc / Hz	
100 Hz:	-130 dBc / Hz	
1 kHz:	-145 dBc / Hz	
10 kHz:	-155 dBc / Hz	
Storage temperature range:	-45°C ... +90°C	



ROHS-Compliant Product

O-4000SC Series



2. Environmental conditions

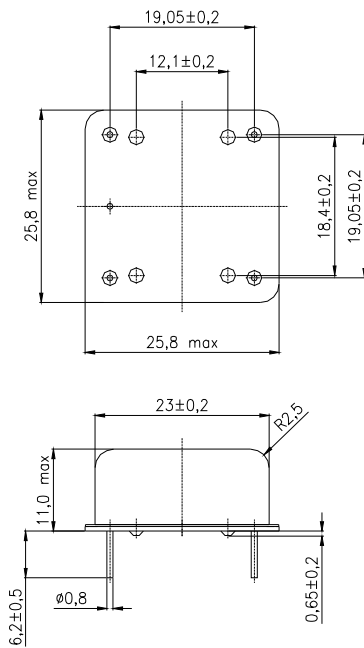
According to KVG Product Qualification Procedure AA-QM-200

3. Marking

Manufacturer's name, date code (week/year); Specification; Center frequency

4a. Case

Package style BF171-IS-S11.0:



1.Pin configuration

1. RF-output
2. Ground, case
3. Control voltage V_C
4. Reference voltage output V_{REF}
5. Supply voltage V_S



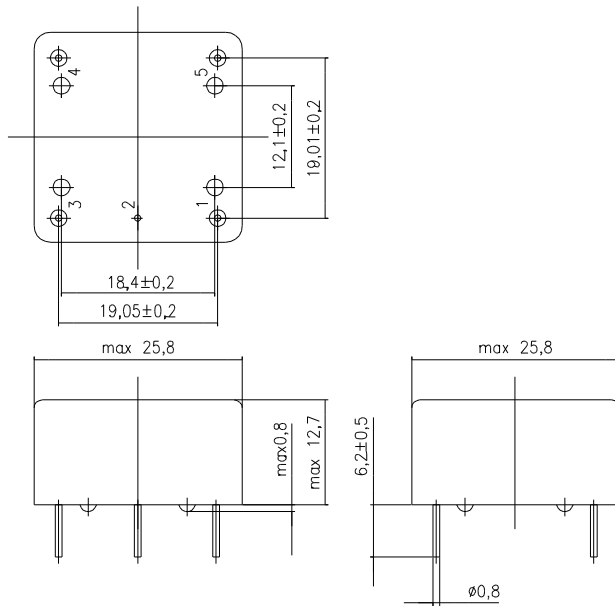
ROHS-Compliant Product

O-4000SC Series



4b. Case

Package style BF171-12.7A:



1.Pin configuration

1. RF-output
2. Ground, case
3. Control voltage V_C
4. Reference voltage output V_{REF}
5. Supply voltage V_S