

# High Current AC Single Line Feed-thru Series



Single Line Filters

## Features

- Voltage Rating 250VAC
- C Configuration with Class Y2 capacitors
- Current rating up to 300 Amps
- Excellent filtering in compact package
- Bolt-in style with D-shaped bushing for easy installation
- Low cost EMI solution
- Design flexibility
- UL and Semko approvals pending

## Applications

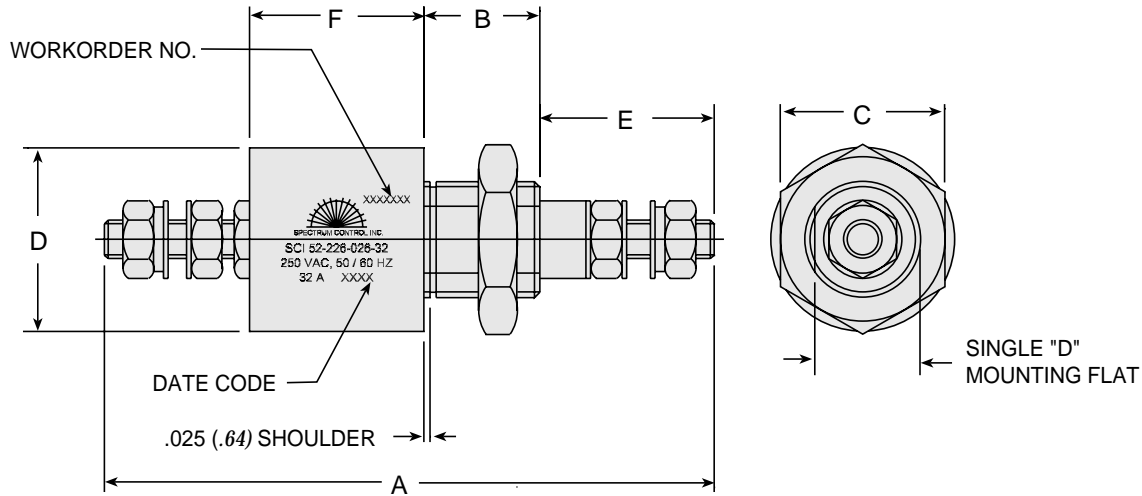
- Telecommunications (cellular base stations, telephone switching racks, etc.)
- Power supplies
- Medical Equipment
- C.O.T.S. (Commercial-Off-The-Shelf) Military
- Industrial equipment controls
- Data Transmission Equipment

## Specifications

Part Number	Rated Current	Min. Cap.	Minimum Insertion Loss (db) *									
			.01MHz	.10MHz	1MHz	10MHz	100MHz	1000MHz				
52-226-016-10	10A	2.2nF	-	-	-	9	30	45				
52-226-016-16	16A	4.7nF			-	2	15	34	54			
52-226-016-32	32A					4	21	41	60			
52-226-016-63	63A	10nF		2	15	34	53	74				
52-226-016-100	100A	47nF			5	21	40	60	85			
52-226-016-200	200A	100nF		-	-	2	15	34	54			
52-226-016-250	250A					4	21	41	60			
52-226-016-300	300A					2	15	34	53	74		
52-226-026-10	10A	4.7nF		-	-	2	15	34	54			
52-226-026-16	16A	10nF				-	-	4	21	41	60	
52-226-026-32	32A							2	15	34	53	74
52-226-026-63	63A	47nF			-	-	5	21	40	60		
52-226-026-100	100A	100nF					10	27	47	67	90	
52-226-026-200	200A	220nF			-	-	2	15	34	53	74	
52-226-026-250	250A						3	16	35	60	90	
52-226-026-300	300A		5				21	40	60	85		
52-226-036-16	16A	47nF	-		-	2	15	34	53	74		
52-226-036-32	32A	33nF				-	-	3	16	35	60	90
52-226-036-63	63A	100nF						5	21	40	60	85
52-226-036-100	100A	220nF			-	-	10	27	47	67	90	
52-226-036-200	200A	470nF					2	16	33	52	75	90
52-226-036-250	250A											
52-226-036-300	300A											
52-226-046-16	16A	100nF		-	-	5	21	40	60	85		
52-226-046-32	32A	47nF				-	-	2	15	34	53	74
52-226-046-63	63A	220nF						10	27	47	67	90
52-226-046-100	100A	470nF			-	-	2	16	33	52	75	
52-226-046-200	200A	1000nF					2	16	33	52	75	90
52-226-046-250	250A											
52-226-046-300	300A											

\* Optimum performance with proper installation

# High Current AC Single Line Feed-thru Series



## Dimensions

Part Number	A	B	C	D	E	F
52-226-016-10	2.24 (57)	0.39 (10)	0.51 (13)	0.56 (14.29)	0.63 (16)	0.71 (18)
52-226-016-16	2.48 (63)	0.47 (12)	0.67 (17)	0.75 (19.05)	0.71 (18)	
52-226-016-32						
52-226-016-63	3.78 (96)	0.55 (14)	0.87 (22)	1 (25.40)	1.02 (26)	1.18 (30)
52-226-016-100	4.45 (113)	0.63 (16)	1.06 (27)	1.25 (31.75)	1.26 (32)	1.30 (33)
52-226-016-200	5.12 (130)	0.75 (19)		1.5 (38.10)	1.57 (40)	
52-226-016-250	5.83 (148)		1.57 (40)	2 (50.80)	1.81 (46)	1.65 (42)
52-226-016-300						
52-226-026-10	2.24 (57)	0.39 (10)	0.51 (13)	0.56 (14.29)	0.63 (16)	0.71 (18)
52-226-026-16	2.48 (63)	0.47 (12)	0.67 (17)	0.75 (19.05)	0.71 (18)	
52-226-026-32						
52-226-026-63	3.78 (96)	0.55 (14)	0.87 (22)	1 (25.40)	1.02 (26)	1.18 (30)
52-226-026-100	4.45 (113)	0.63 (16)	1.06 (27)	1.25 (31.75)	1.26 (32)	1.30 (33)
52-226-026-200	5.12 (130)	0.75 (19)		1.5 (38.10)	1.57 (40)	
52-226-026-250	5.83 (148)		1.57 (40)	2 (50.80)	1.81 (46)	1.65 (42)
52-226-026-300						
52-226-036-16	2.95 (75)	0.47 (12)	0.67 (17)	0.75 (19.05)	0.71 (18)	1.18 (30)
52-226-036-32						
52-226-036-63	3.78 (96)	0.55 (14)	0.87 (22)	1 (25.40)	1.02 (26)	
52-226-036-100	4.57 (116)	0.75 (19)	1.06 (27)	1.5 (38.10)	1.26 (32)	1.30 (33)
52-226-036-200	5.79 (147)		1.57 (40)		1.57 (40)	
52-226-036-250	6.30 (160)	0.75 (19)	1.57 (40)	2 (50.80)	1.81 (46)	2.13 (54)
52-226-036-300						
52-226-046-16	3.03 (77)	0.55 (14)	0.87 (22)	1 (25.40)	0.71 (18)	1.18 (30)
52-226-046-32	2.95 (75)	0.47 (12)	0.67 (17)	1.06 (27)	1.25 (31.75)	1.30 (33)
52-226-046-63	4.45 (113)	0.63 (16)	1.06 (27)			
52-226-046-100	5.24 (133)	0.75 (19)	1.57 (40)	1.5 (38.10)	1.26 (32)	1.97 (50)
52-226-046-200	5.79 (147)			1.57 (40)		
52-226-046-250	6.30 (160)	0.75 (19)	1.57 (40)	2 (50.80)	1.81 (46)	2.13 (54)
52-226-046-300						

Dimensions in inches (mm)