

High Current AC Single Line Pi Series



Single Line Filters

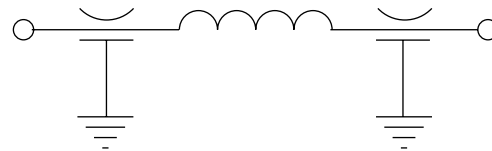
Features

- Voltage Rating 250VAC
- Pi Configuration with Class Y2 capacitors
- Current rating up to 300 Amps
- Excellent filtering in compact package
- Bolt-in style with D-shaped bushing for easy installation
- Low cost EMI solution
- Design flexibility
- UL and Semko approvals pending

Applications

- Telecommunications (cellular base stations, telephone switching racks, etc.)
- Power supplies
- Medical Equipment
- C.O.T.S. (Commercial-Off-The-Shelf) Military
- Industrial equipment controls
- Data Transmission Equipment

Circuit Diagram

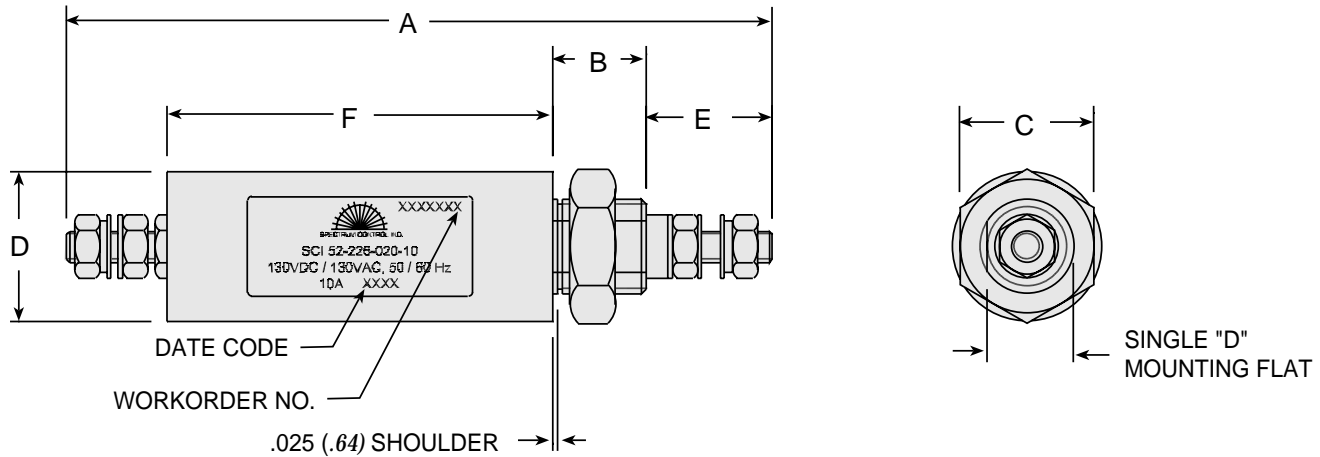


Specifications

| Part Number | Rated Current | Min. Cap. (2X) | Minimum Insertion Loss (db) * | | | | | |
|-----------------------------|---------------|----------------|-------------------------------|--------|------|-------|--------|---------|
| | | | .01MHz | .10MHz | 1MHz | 10MHz | 100MHz | 1000MHz |
| Standard Performance | | | | | | | | |
| 52-226-037-10 | 10A | 4.7nF | - | - | 4 | 19 | 77 | 90 |
| 52-226-037-16 | 16A | 10nF | | 1 | 8 | 22 | 50 | |
| 52-226-037-32 | 32A | | | 4 | 21 | 52 | 80 | |
| 52-226-037-63 | 63A | 47nF | 1 | 8 | 25 | 73 | 90 | |
| 52-226-037-100 | 100A | 100nF | | 9 | 26 | 75 | | |
| 52-226-037-200 | 200A | | | | | | | |
| 52-226-037-250 | 250A | | | | | | | |
| 52-226-037-300 | 300A | | | | | | | |
| High Performance | | | | | | | | |
| 52-226-019-10 | 10A | 10nF | - | 1 | 9 | 30 | 80 | 90 |
| 52-226-019-16 | 16A | 22nF | | 3 | 15 | 47 | | |
| 52-226-019-32 | 32A | | | 1 | 12 | 27 | 75 | |
| 52-226-019-63 | 63A | 150nF | 4 | 21 | 39 | 85 | 90 | |
| 52-226-019-100 | 100A | 470nF | | | 57 | | | |
| 52-226-019-200 | 200A | | | | | | | |
| 52-226-019-250 | 250A | | | | | | | |
| 52-226-019-300 | 300A | | | | | | | |

* Optimum performance with proper installation

High Current AC Single Line Pi Series



Dimensions

| Part Number | A | B | C | D | E | F |
|-----------------------------|------------|-----------|-------------|--------------|-----------|------------|
| Standard Performance | | | | | | |
| 52-226-037-10 | 3.86 (98) | 0.47 (12) | 0.67 (17) | 0.75 (19.05) | 0.63 (16) | 2.24 (57) |
| 52-226-037-16 | 4.17 (106) | | | | 0.71 (18) | 2.40 (61) |
| 52-226-037-32 | | | | | 1.02 (26) | 3.7 (94) |
| 52-226-037-63 | 6.30 (160) | 0.55 (14) | 0.87 (22) | 1 (25.40) | 1.26 (32) | 4.09 (104) |
| 52-226-037-100 | 7.24 (184) | 0.63 (16) | 1.06 (27) | 1.25 (31.75) | 1.57 (40) | 4.41 (112) |
| 52-226-037-200 | 8.23 (209) | 0.75 (19) | | | 1.57 (40) | 1.81 (46) |
| 52-226-037-250 | 7.87 (200) | | 1.5 (38.10) | 1.57 (40) | | 6.30 (160) |
| 52-226-037-300 | | | | | | |
| High Performance | | | | | | |
| 52-226-019-10 | 4.21 (107) | 0.47 (12) | 0.67 (17) | 0.75 (19.05) | 0.63 (16) | 2.6 (66) |
| 52-226-019-16 | 4.57 (116) | 0.55 (14) | 0.87 (22) | 1 (25.40) | 0.71 (18) | 2.72 (69) |
| 52-226-019-32 | | | | | | |
| 52-226-019-63 | 6.81 (173) | 0.63 (16) | 1.06 (27) | 1.25 (31.75) | 1.02 (26) | 4.13 (105) |
| 52-226-019-100 | 8.98 (228) | 0.75 (19) | | | | |
| 52-226-019-200 | 9.57 (243) | | | | | |
| 52-226-019-250 | 10.5 (267) | | | | | |
| 52-226-019-300 | | | | | | |

Dimensions in inches (mm)