

High Current DC Single Line Pi Series



Single Line Filters

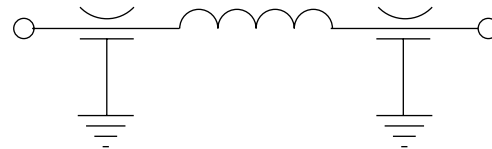
Features

- Voltage Rating 130VDC
- Pi Configuration with Class Y4 capacitors
- Current rating up to 200 Amps
- Excellent filtering in compact package
- Bolt-in style with D-shaped bushing for easy installation
- Low cost EMI solution
- UL and Semko approved

Applications

- Telecommunications (cellular base stations, telephone switching racks, etc.)
- Power supplies
- Medical Equipment
- C.O.T.S. (Commercial-Off-The-Shelf) Military
- Industrial equipment controls
- Data Transmission Equipment

Circuit Diagram

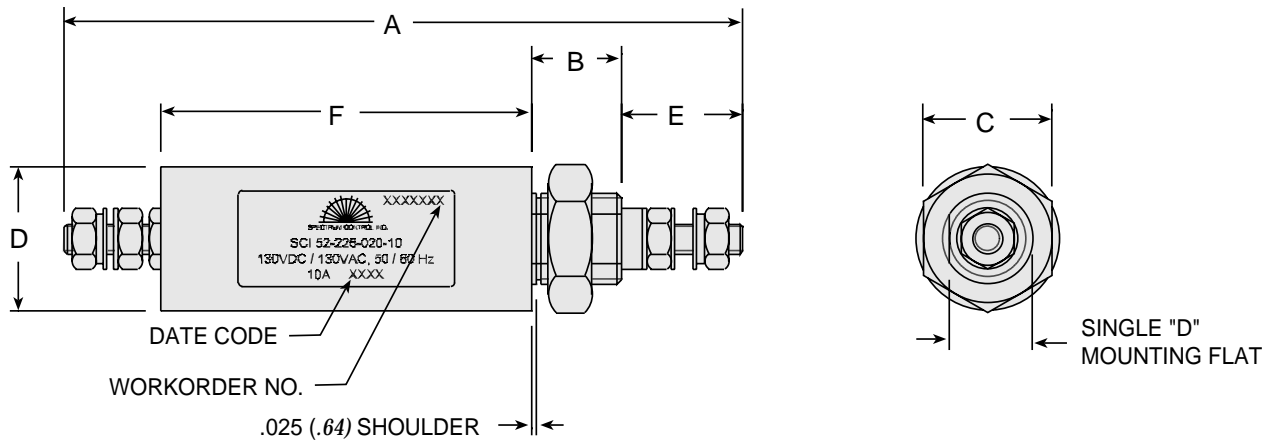


Specifications

Part Number	Rated Current	Min. Cap. (2X)	Minimum Insertion Loss (db) *					
			.01MHz	.10MHz	1MHz	10MHz	100MHz	1000MHz
Standard Performance								
52-226-020-10	10A	10nF	-	0.5	8	23	70	90
52-226-020-16	16A			35				
52-226-020-32	32A			2	10	23	50	
52-226-020-63	63A	100nF	8	27	67	90		
52-226-020-100	100A	470nF	4	21	30		70	
52-226-020-200	200A		7	23	60			
High Performance								
52-226-029-10	10A	100nF	-	8	25	75	90	90
52-226-029-16	16A							
52-226-029-32	32A							
52-226-029-63	63A	470nF	4	21	35	70		
52-226-029-100	100A	1000nF	8	26	57	73		
52-226-029-200	200A	4700nF	20	40	85	90		

* Optimum performance with proper installation

High Current DC Single Line P_i Series



Dimensions

Part Number	A	B	C	D	E	F
Standard Performance						
52-226-020-10	3.54 (90)	0.47 (12)	0.67 (17)	0.75 (19.05)	0.63 (16)	1.93 (49)
52-226-020-16	3.86 (98)				0.71 (18)	2.09 (53)
52-226-020-32					1.02 (26)	3.70 (94)
52-226-020-63	6.30 (160)	0.55 (14)	0.87 (22)	1 (25.40)	1.26 (32)	4.09 (104)
52-226-020-100	7.24 (184)	0.63 (16)	1.06 (27)	1.25 (31.75)	1.57 (40)	4.41 (112)
52-226-020-200	8.23 (209)	0.75 (19)		1.50 (38.10)	1.57 (40)	4.41 (112)
High Performance						
52-226-029-10	5.12 (130)	0.47 (12)	0.67 (17)	0.75 (19.05)	0.63 (16)	3.50 (89)
52-226-029-16	5.47 (139)				0.71 (18)	3.70 (94)
52-226-029-32					1.02 (26)	4.13 (105)
52-226-029-63	6.81 (173)	0.63 (16)	1.06 (27)	1.25 (31.75)	1.26 (32)	5.71 (145)
52-226-029-100	8.98 (228)	0.75 (19)	1.57 (40)	1.50 (38.10)	1.57 (40)	7.17 (182)
52-226-029-200	11 (279)			1.57 (40)	2 (50.80)	1.57 (40)

Dimensions in inches (mm)