

# High Current Single Line Feed-thru Filters

High current single line feed-thru filters from Spectrum Control are ideal to meet broad frequency applications. This series filters EMI/RFI with 150-500 Amp current with AC and DC voltages. These filters are ideal for cellular base stations, telephone switching stations and high voltage power supply applications.

## Features

- Ideal for high current applications
- Excellent filtering in a compact, durable package
- Bolt-in style for easy installation
- Current ratings to 500 Amps
- Voltage ratings up to 1000VDC and 240VAC
- Available with single, dual, and triple feed-thrus
- Various capacitance ratings (up to 1.68  $\mu$ F)
- Rugged construction for indoor and outdoor applications
- Various mounting brackets available
- Low cost EMI solution
- Design flexibility
- Custom mechanical configurations available

## Applications

- Telecommunications (cellular base stations, telephone switching racks, etc.)
- Power supplies
- Servers

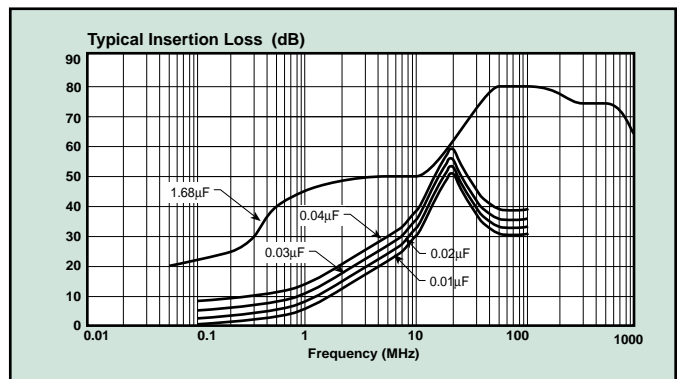


## Electrical Specifications

**Current Ratings/Bolt Size:** 150 Amps . . . . . 10 mm  
 200 Amps . . . . . 12 mm  
 250 Amps . . . . . 12 mm  
 300 Amps . . . . . 14 mm  
 400 Amps . . . . . 16 mm  
 500 Amps . . . . . 18 mm

**Temperature Range:** -25°C to 85°C

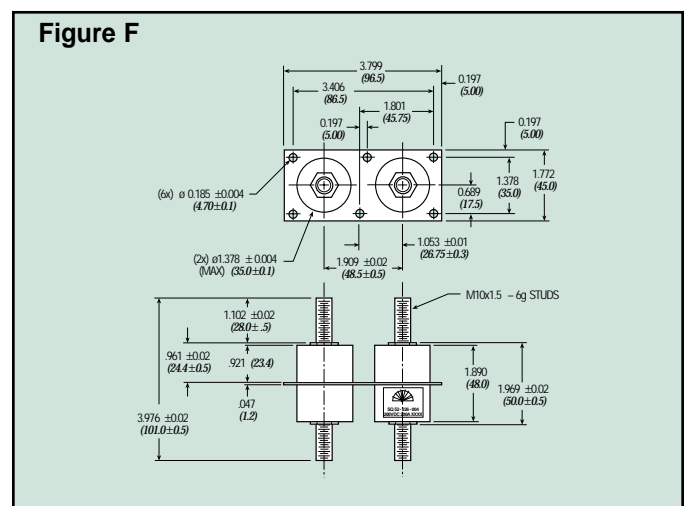
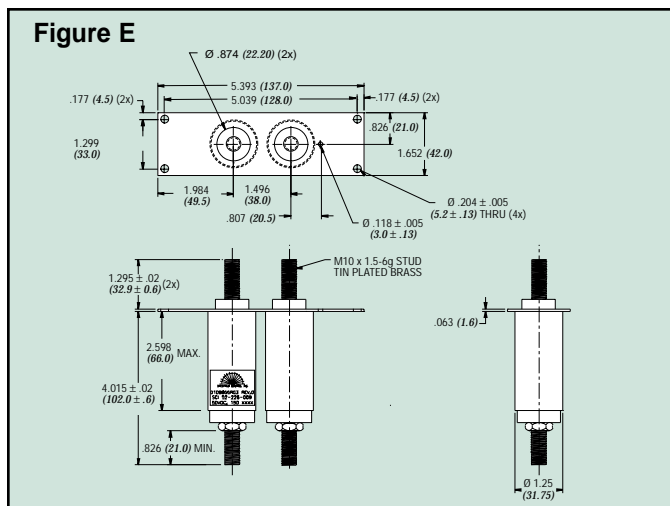
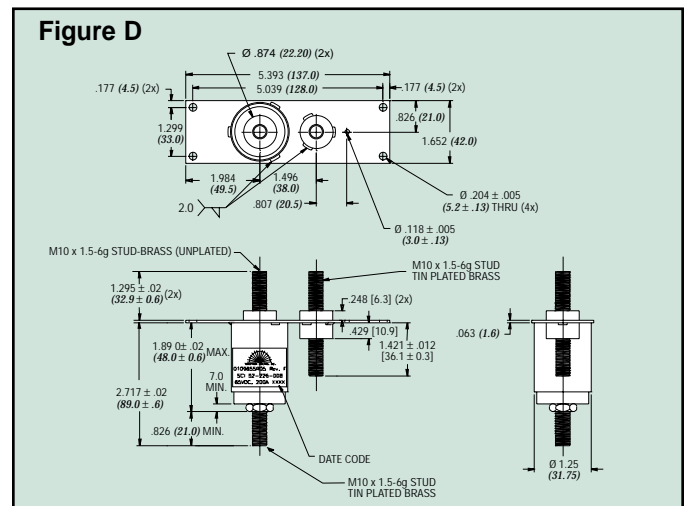
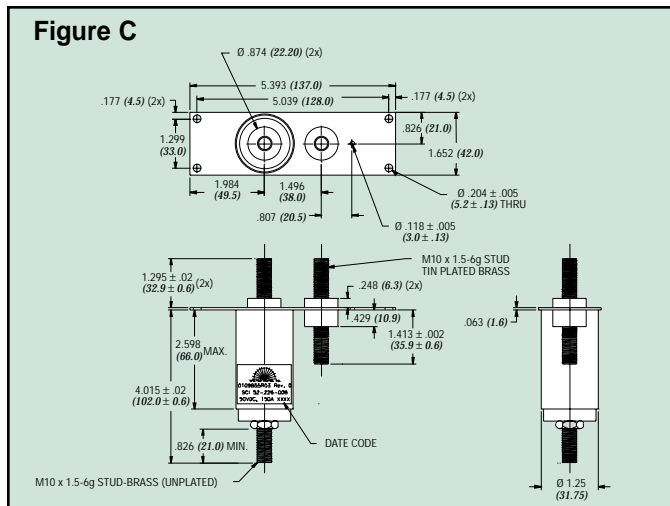
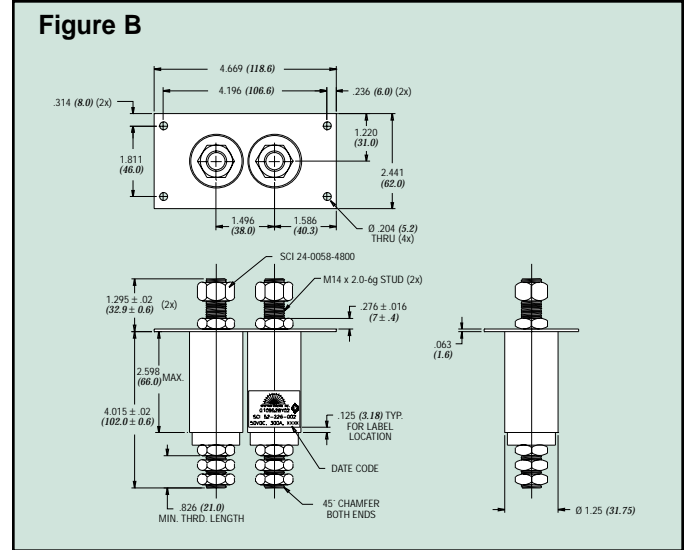
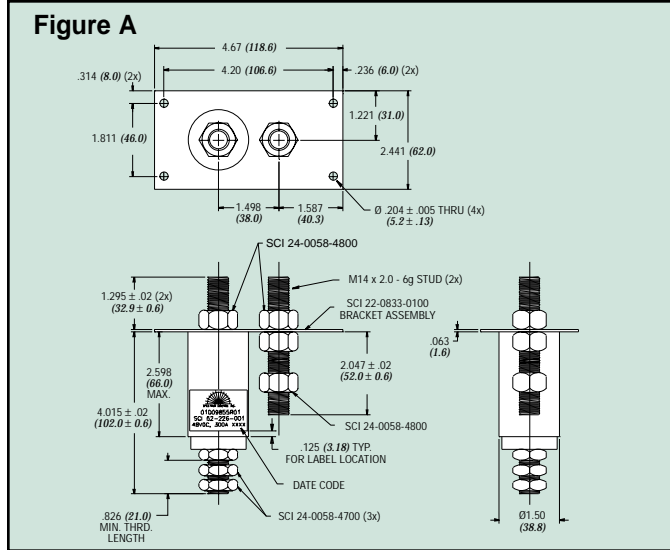
Single Line Filters



Part Number	Figure	Voltage Rating @ -40C to +85C	Current Rating	Capacitance Value
52-226-001	A	50VDC Max.	300 Amps	0.02 $\mu$ F min. @ 50VDC
52-226-002	B	50VDC Max.	300 Amps	0.02 $\mu$ F min. @ 50VDC
52-226-006	C	50VDC Max.	150 Amps	0.02 $\mu$ F min. @ 50VDC
52-226-008	D	75VDC Max.	200 Amps	0.02 $\mu$ F min. @ 50VDC
52-226-009	E	50VDC Max.	150 Amps	0.02 $\mu$ F min. @ 50VDC
52-267-008	F	200VDC Max.	200 Amps	0.02 $\mu$ F min. @ 40VDC
52-226-004	F	200VDC Max./240 VAC	200 Amps	1.68 $\mu$ F min. @ 50VDC
52-226-015	G	200VDC Max./240 VAC	200 Amps	1.68 $\mu$ F min. @ 50VDC
52-267-002	H	200VDC Max./240 VAC	200 Amps	1.68 $\mu$ F min. @ 40VDC
52-267-003	J	200VDC Max./240 VAC	200 Amps	1.68 $\mu$ F min. @ 40VDC
52-267-009	F	200VDC Max./240 VAC	60 Amps	1.68 $\mu$ F min. @ 50VDC
52-267-010	K	200VDC Max./240 VAC	250 Amps	1.68 $\mu$ F min. @ 40VDC
52-267-011	K	200VDC Max./240 VAC	100 Amps	1.68 $\mu$ F min. @ 40VDC
52-267-012	K	250VDC Max.	100 Amps	1.00 $\mu$ F+20% @ 40VDC

# High Current Single Line Feed-thru Filters

## Mechanical Dimensions



Dimensions in inches (mm)

# High Current Single Line Feed-thru Filters

Single Line Filters

Figure G

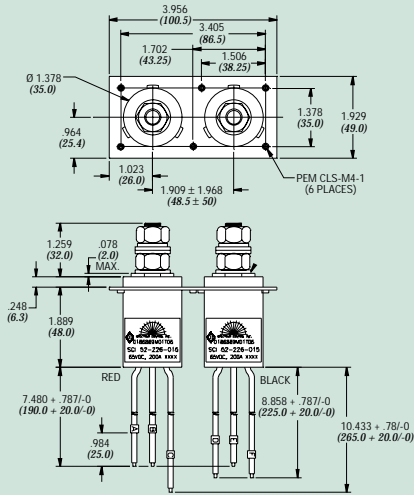


Figure H

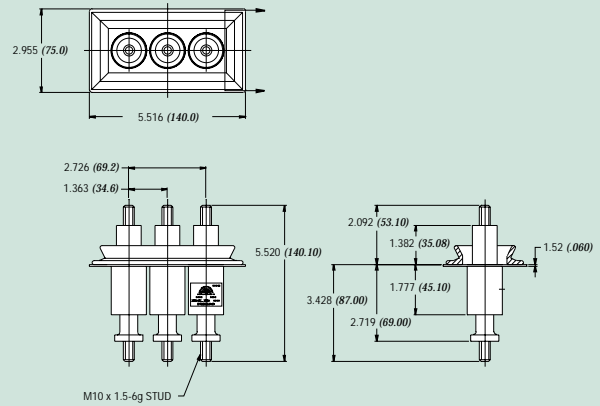


Figure J

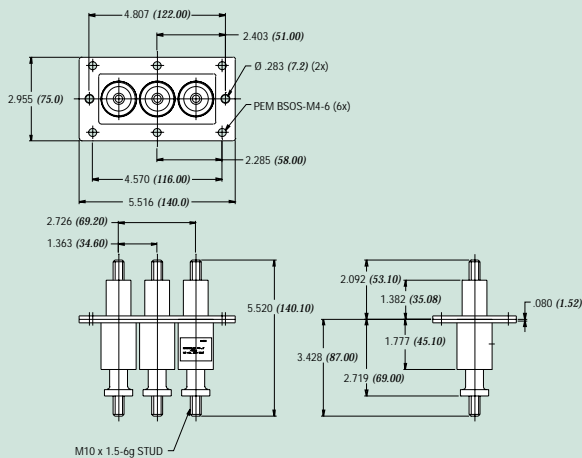
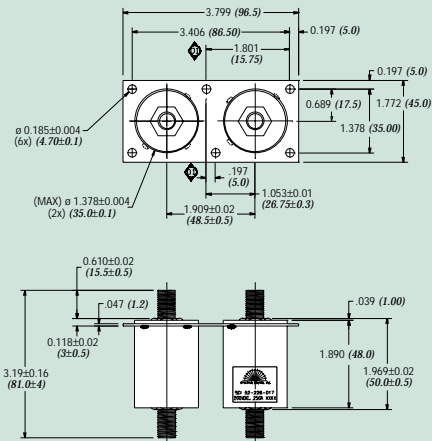


Figure K



Dimensions in inches (mm)